



Alpine Coolers® ROBO Filtration System



Designed for those nasty water supplies. Multi stage system with RO membrane to reduce TDS. Try UF membrane when and there is no need for a drain or waste.



Cooler Features

- ✔ Large 2.5 gallon reservoir
- ✔ Filter Bay up to 5 filters
- ✔ Pressure regulator
- ✔ Stainless reservoir
- ✔ Optical heat display
- ✔ Optical cold display
- ✔ Sleek style
- ✔ Durable design

Available with **ULTRA** filtration (UF)

- ✔ 4 stage Ultra Filtration
- ✔ No need for drain
- ✔ Reduces TDS
- ✔ Purifies without waste
- ✔ Feel Well Easy Fit Filters

Available with **REVERSE OSMOSIS** Filtration (RO)

- ✔ 4 Stage RO Filtration
- ✔ Booster Pump Included
- ✔ Pressure regulator
- ✔ 80 GPD RO
- ✔ Feel Well Easy Fit Filters

www.alpinecoolers.com 888-588-9355



ISO 9001:2000 (E)





Alpine®

"Responsibly providing innovative products, valuable services, creative solutions with integrity."

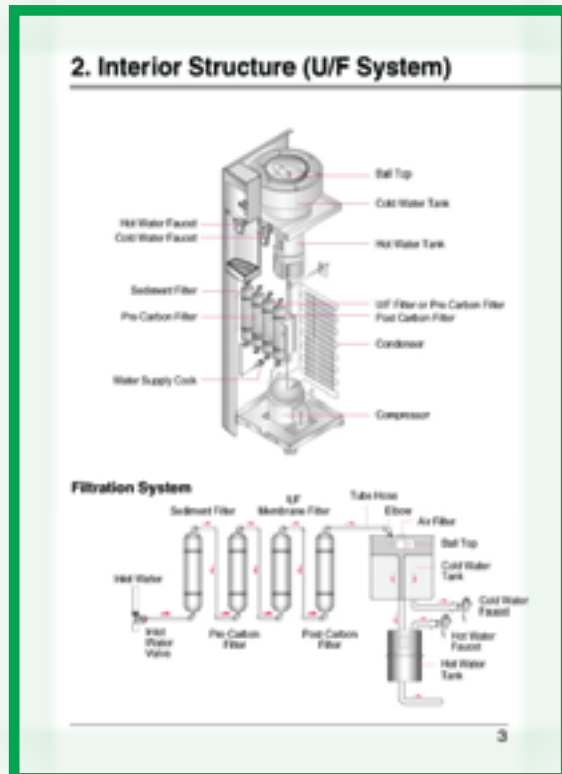
Filter Bay & Universal Filter Mounting Bracket



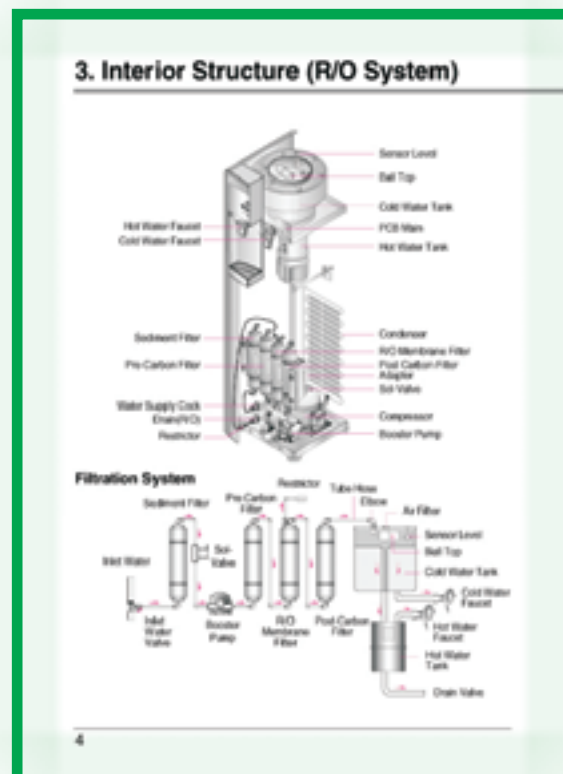
Product Specifications

Condenser	Wired	
Motor Power	80W	
Refrigerant	R-134 a	
Cold Water Tank	2.64 Gallons, STS 304	
Cold Water Capacity	50 cups at 39-53 degrees	
Temperature Control	Thermostat Internal Cold	
Cooling	Forced Cooling	
Heater Power	430 W	
Hot Water Tank	1/2 Gallon, STS 304	
Hot Water Temp	15 Cups at 169-194 F	
Heater	Band Style	
Hot Thermostats	Bi-Metal Style	
Front Cover	ABS	
Regulated Power	AC 120 V / 60 Hz Single Phase	
Filtration	Reverse Osmosis (RO)	UF Filtration (UF)
Flow Rate GPD	80 GPD	250 GPD
Sediment	Yes	Yes
Pre Carbon	Yes	Yes
Membrane	Reverse Osmosis (RO)	UF Filtration (UF)
Post Carbon	Yes	Yes
Pump	Yes	N/A

Ultra Filtration UF



Reverse Osmosis RO



Source water should be potable prior to hook up.